

Incremental Rotary Encoder G58

Shaft: Type S / L / H



- Housing diameter: 58 mm
- Shaft: Ø 6 ... 10 mm
- Hollow shaft: Ø 6 ... 14 mm
- Line counts: 2 ... 10.000
- Output signals: RS422, PP, TTL, OC, 1Vpp, 11µApp
- Connector or cable output: axial or radial

Hollow shaft: Type W



Mechanical Data

G 58	Shaft			Hollow shaft
	Type S	Type L	Type H	Type W
Ø Shaft / Hollow shaft	6 or 10 mm	6 mm	10 mm	6 ... 14 mm
Weight	approx. 320 g	approx. 300 g	approx. 320 g	approx. 320 g
Accuracy (up to line count 2500)	$< \pm \frac{360^\circ}{\text{Line count} \times 20}$	$< \pm \frac{360^\circ}{\text{Line count} \times 20}$	$< \pm \frac{360^\circ}{\text{Line count} \times 20}$	$< \pm \frac{360^\circ}{\text{Line count} \times 20}$
Mech. permissible speed	max. 12.000 min ⁻¹	max. 12.000 min ⁻¹	max. 12.000 min ⁻¹	max. 12.000 min ⁻¹
Starting torque (25 °C)	< 0,01 Nm	< 0,01 Nm	< 0,01 Nm	< 0,01 Nm
Shaft load at 6.000 min ⁻¹ at 12.000 min ⁻¹	40 N axial; 60 N radial 12 N axial; 25 N radial	20 N axial; 30 N radial 10 N axial; 20 N radial	50 N axial; 65 N radial 15 N axial; 30 N radial	--- ---
Rotor inertia	1,7 x 10 ⁻⁶ kgm ²	1,4 x 10 ⁻⁶ kgm ²	1,7 x 10 ⁻⁶ kgm ²	3,5 x 10 ⁻⁶ kgm ²
Vibration	100 m/s ² ; higher upon request	100 m/s ² ; higher upon request	100 m/s ² ; higher upon request	100 m/s ² ; higher upon request
Shock	1000 m/s ² higher upon request	1000 m/s ² higher upon request	1000 m/s ² higher upon request	1000 m/s ² higher upon request
Operating temperature	-10 °C ... +80 °C -40 °C ... +100 °C upon request	-10 °C ... +80 °C -40 °C ... +100 °C upon request	-10 °C ... +80 °C -40 °C ... +100 °C upon request	-10 °C ... +80 °C -40 °C ... +100 °C upon request
Protection class	IP 64; IP 66 upon request	IP 64; IP 66 upon request	IP 64; IP 66 upon request	IP 64; IP 66 upon request

Line Counts

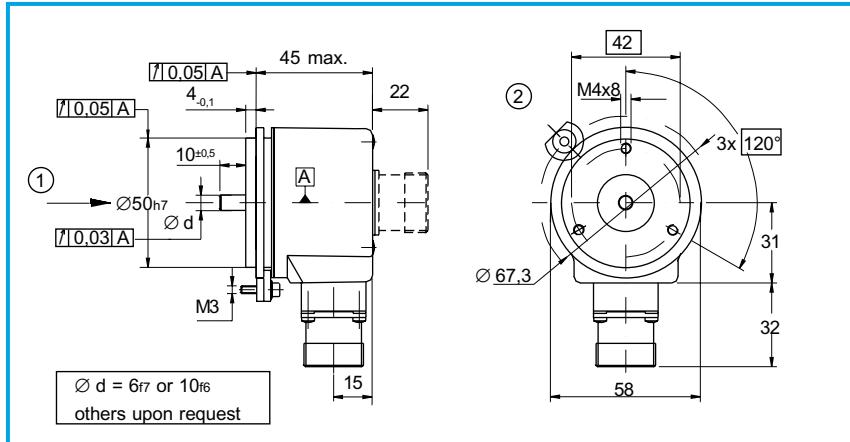
2	8	10	25	50	64	100	120	125	128	150	160	180	190	200
240	250	254	256	300	350	360	380	400	500	512	560	600	604	625
635	676	720	750	800	900	1000	1024	1125	1130	1152	1200	1250	1270	1440
1500	1600	1800	2000	2048	2160	2164	2200	2400	2500	2540	2592	2670	3000	3092
3142	3600	3927	4000	4096	4490	5000	5760	8192	9000	10000	others upon request			

LTN Servotechnik GmbH

Dimensions (mm)

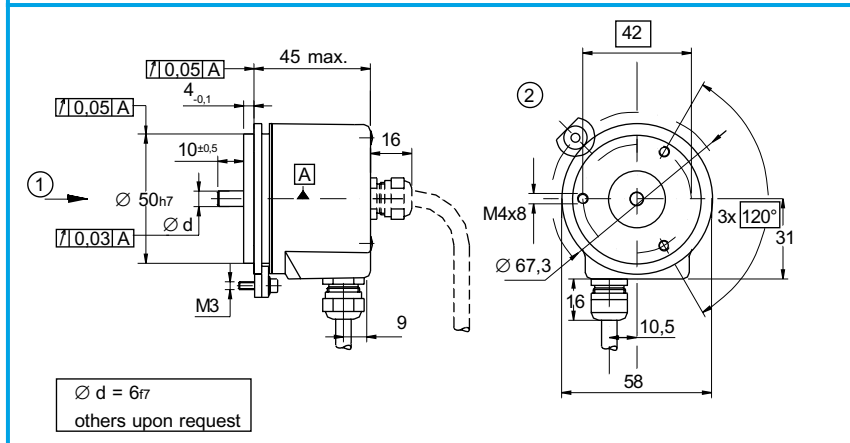
G 58 S

- improved vibration upon request
- optional: sealed bearing
- optional: shaft seal
- connector output: radial or axial
- cable output: radial or axial
- ② optional: servo clamps



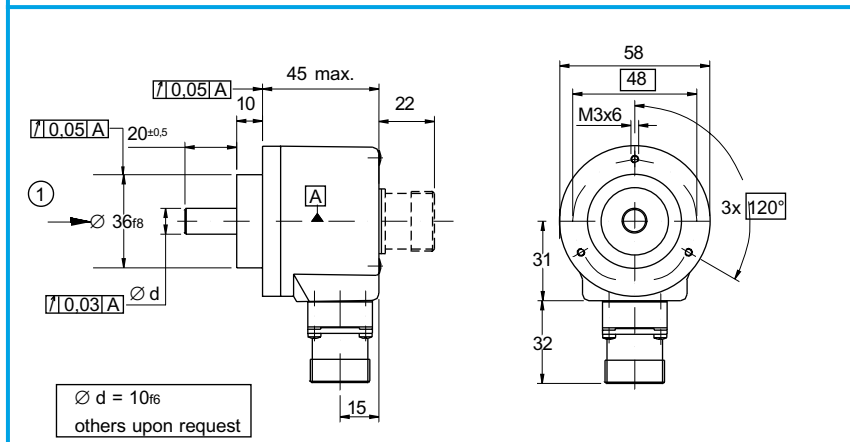
G 58 L

- improved vibration upon request
- optional: sealed bearing
- optional: shaft seal
- connector output: radial or axial
- cable output: radial or axial
- ② optional: servo clamps



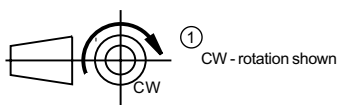
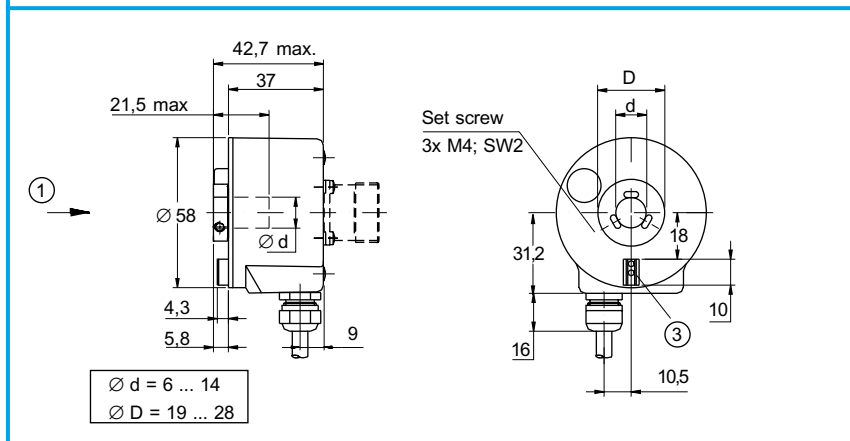
G 58 H

- improved vibration upon request
- standard: sealed bearing
- connector output: radial or axial
- cable output: radial or axial



G 58 W

- hollow shaft type (blind hole)
- optional: sealed bearing
- connector output: radial or axial
- cable output: radial or axial
- ③ coupling pin 3m6 x 10 included



Electrical Data

G 58	Type S	Type L	Type H	Type W
Supply voltage	5 V or 8 ... 30 V: LD, IX, PP, TL, OC, QI, SI 8 ... 30 V: KS	5 V or 8 ... 30 V: LD, IX, PP, TL, OC, QI, SI 8 ... 30 V: KS	5 V or 8 ... 30 V: LD, IX, PP, TL, OC, QI, SI 8 ... 30 V: KS	5 V or 8 ... 30 V: LD, IX, PP, TL, OC, QI, SI 8 ... 30 V: KS
Current requirement (without load)	max. 180 mA: LD, IX, PP, KS, TL, OC, SI max. 100 mA: QI	max. 180 mA: LD, IX, PP, KS, TL, OC, SI max. 100 mA: QI	max. 180 mA: LD, IX, PP, KS, TL, OC, SI max. 100 mA: QI	max. 180 mA: LD, IX, PP, KS, TL, OC, SI max. 100 mA: QI
Output load	± 20 mA (RS422): LD, IX 50 mA: PP, KS, OC 50 mA (3,3 kOhm): TL 8 mA (120 Ohm): SI 11µAss (1kOhm): QI	± 20 mA (RS422): LD, IX 50 mA: PP, KS, OC 50 mA (3,3 kOhm): TL 8 mA (120 Ohm): SI 11µAss (1kOhm): QI	± 20 mA (RS422): LD, IX 50 mA: PP, KS, OC 50 mA (3,3 kOhm): TL 8 mA (120 Ohm): SI 11µAss (1kOhm): QI	± 20 mA (RS422): LD, IX 50 mA: PP, KS, OC 50 mA (3,3 kOhm): TL 8 mA (120 Ohm): SI 11µAss (1kOhm): QI
Output frequency	0 ... 150 kHz: PP, KS, TL, OC 0 ... 160 kHz (-3dB): QI, SI 0 ... 300 kHz: LD 0 ... 400 kHz: IX	0 ... 150 kHz: PP, KS, TL, OC 0 ... 160 kHz (-3dB): QI, SI 0 ... 300 kHz: LD 0 ... 400 kHz: IX	0 ... 150 kHz: PP, KS, TL, OC 0 ... 160 kHz (-3dB): QI, SI 0 ... 300 kHz: LD 0 ... 400 kHz: IX	0 ... 150 kHz: PP, KS, TL, OC 0 ... 160 kHz (-3dB): QI, SI 0 ... 300 kHz: LD 0 ... 400 kHz: IX
Cable length	max. 30 m: TL, OC, QI max. 50 m: PP, KS max. 100 m: LD, IX max. 150 m: SI	max. 30 m: TL, OC, QI max. 50 m: PP, KS max. 100 m: LD, IX max. 150 m: SI	max. 30 m: TL, OC, QI max. 50 m: PP, KS max. 100 m: LD, IX max. 150 m: SI	max. 30 m: TL, OC, QI max. 50 m: PP, KS max. 100 m: LD, IX max. 150 m: SI
Interpolation	5-fold: IE; 10-fold: IM 25-fold: IO; 50-fold: IP	5-fold: IE; 10-fold: IM 25-fold: IO; 50-fold: IP	5-fold: IE; 10-fold: IM 25-fold: IO; 50-fold: IP	5-fold: IE; 10-fold: IM 25-fold: IO; 50-fold: IP
Zero index	1 = Z „high“ if A „high“ 5 = Z „high“ if A + B „high“	1 = Z „high“ if A „high“ 5 = Z „high“ if A + B „high“	1 = Z „high“ if A „high“ 5 = Z „high“ if A + B „high“	1 = Z „high“ if A „high“ 5 = Z „high“ if A + B „high“

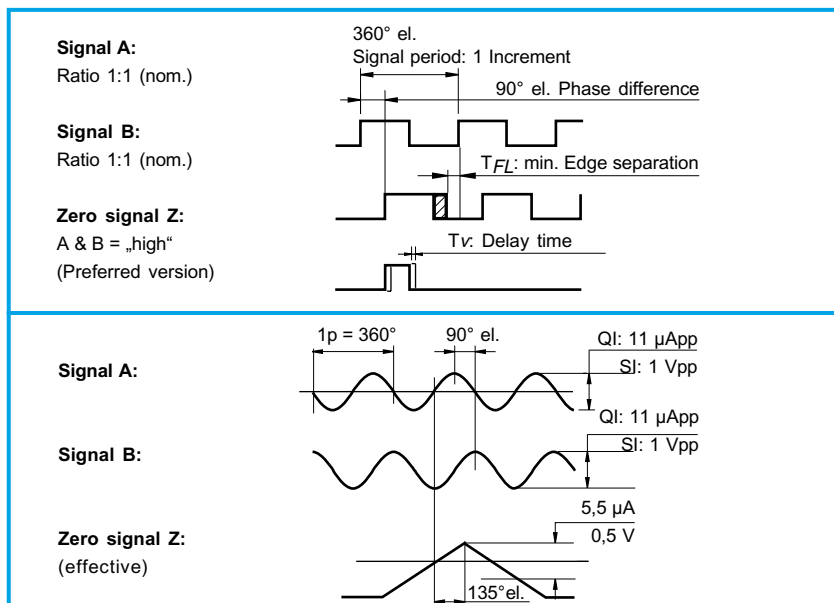
Output Signals

Version:

LD = Line driver RS422
 IX = LD with Interpolation
 PP = Push pull
 KS = PP with short-circuit protection
 TL = TTL compatible
 OC = Open collector

Version:

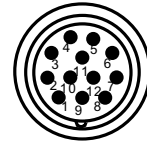
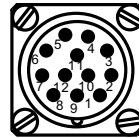
QI = 11 µApp at 1 kOhm load
 SI = 1 Vpp at 120 Ohm load



LTN Servotechnik GmbH

Connector-Terminal and Cable Designation

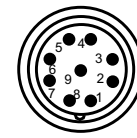
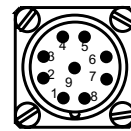
G 58	Output circuit			
	OC / TL / PP / KS		LD / IX (RS422)	
Function / Signal	12-pin	cable Pur 12 x 0,19	12-pin	cable Pur 12 x 0,19
Signal A	5	brown	5	brown
Signal \bar{A}	-	-	6	green
Signal B	8	grey	8	grey
Signal \bar{B}	-	-	1	pink
Signal Z	3	red	3	red
Signal \bar{Z}	-	-	4	black
V _{CC}	12	blue	12	blue
V _{CCSense}	2	violet	2	violet
0 Volts	10	white	10	white
0 Volts _{Sense}	11	yellow	11	yellow
Shield	9	white-blue	9	white-blue



Square flange receptacle 12-pin: RC-12P2N122K00
Pin plug 12-pin: Metal: RC-12P2N1280EF
 Plastic: RC-12P1N12K0EF

Mating connector 12-pol: Socket plug for square flange receptacle: RC-12S2N1280EF
Socket coupling for pin plug: Metal: RC-12S1N1290EF
 Plastic: RC-12S1N12M0EF

G 58	Output circuit			
	QI		SI	
Function / Signal	9-pin	cable Pur 8 x 0,14	12-pin	cable Pur 12 x 0,19
Signal A +	1	green	5	brown
Signal A -	2	yellow	6	green
Signal B +	5	blue	8	grey
Signal B -	6	red	1	pink
Signal Z +	7	grey	3	red
Signal Z -	8	pink	4	black
V _{CC}	3	brown	12	blue
V _{CCSense}	-	-	2	violet
0 Volts	4	white	10	white
0 Volts _{Sense}	-	-	11	yellow
Shield	9	white-blue	9	Case
External shield	-	Case		



Square flange receptacle 9-pin: RC-09P1N122K00
Pin plug 9-pin: Metal: RC-09P1N1280EF
 Plastic: RC-09P2N12K0EF

Mating connector 12-pol: Socket plug for square flange receptacle: RC-09S1N1280EF
Socket coupling for pin plug: Metal: RC-09S2N1290EF
 Plastic: RC-09S2N12M0EF

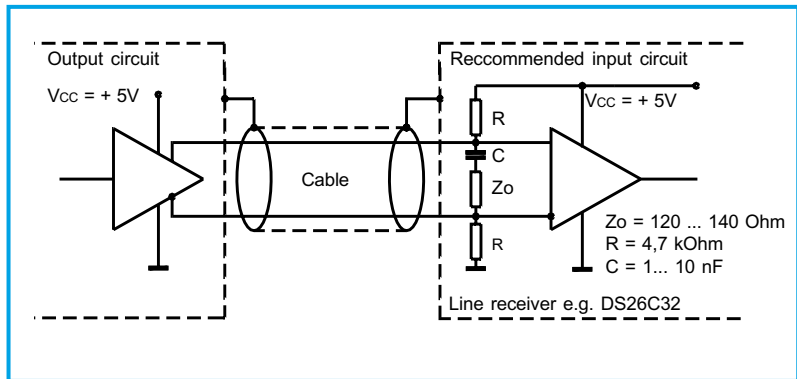
LTN Servotechnik GmbH

Recommended input circuitry of subsequent electronics LD and IX: Line driver RS 422 A

Operating voltage: 5 V ± 5 % oder 8 ... 30 V
 Current requirement: max. 180 mA (without load)
 Output signals: A, \bar{A} , B, \bar{B} , Z, \bar{Z}
 Max. output frequency: 300 kHz for LD
 400 kHz for IX

Min. edge separation: $T_{FL} \geq 0,25 \mu s$ (400 kHz)
 Level (RS422): $V_H \geq 2,5 V$ ($I_H = -20 mA$)
 $V_L \leq 0,5 V$ ($I_L = 20 mA$)

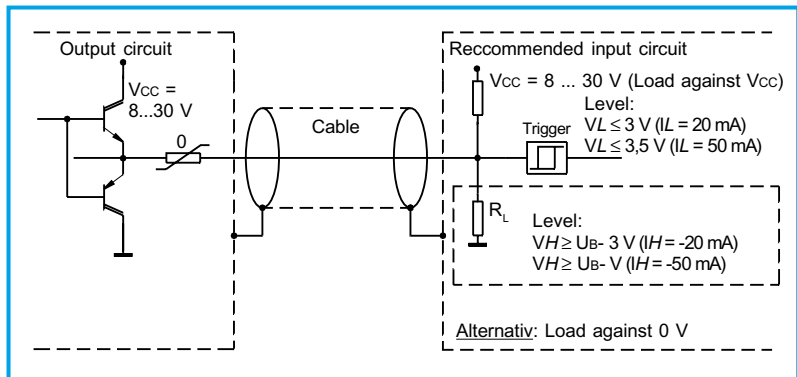
Max. current load cap.: $I_{max}: \pm 20 mA$ per output
 Delay time: $T_V \leq 50 ns$
 Switching times: rise / fall times: $\leq 100 ns$
 Cable length: max. 100 m
 Operating temperature: $-10^\circ C \dots +80^\circ C$



KS: Push pull output with short-circuit protection

Operating voltage: 8 ... 30 V
 Current requirement: max. 180 mA (without load)
 Output signals: A, B, Z
 max. output frequency: 150 kHz

Min. edge separation: $T_{FL} \geq 0,9 \mu s$
 Max. current load cap.: $I_{max}: 50 mA$ per output
 Delay time: $T_V \leq 400 ns$
 Switching times: rise / fall times: $\leq 350 ns$
 (1 m cable and $I_{out} = 50 mA$)
 Cable length: max. 50 m
 Operating temperature: $-10^\circ C \dots +80^\circ C$
 Short-circuit protection only at zero speed !



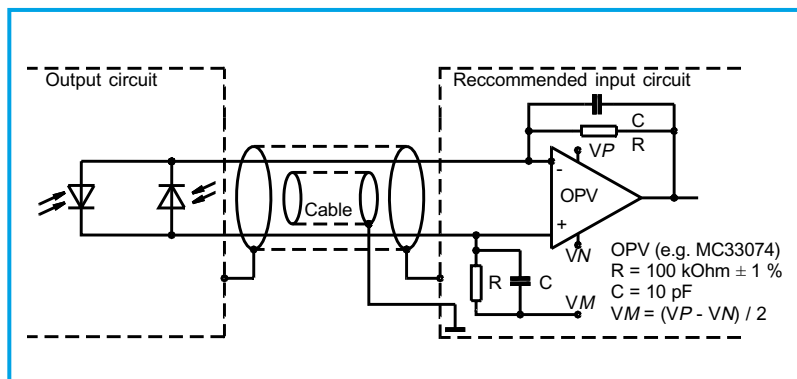
QI: Current interface 11 μA_{pp}

Operating voltage: 5 V ± 5 % or 8 ... 30 V
 Current requirement: max. 100 mA
 Output signals: A+, A-, B+, B-, Z+, Z-

Limit frequency (-3dB): max. 160 kHz

Signal level at a load of 1 kOhm: track signals: A, B $\geq 11 \mu A_{pp}$ (7 ... 16 μA_{pp})
 index signal (effective signal): Z $\geq 5,5 \mu A$ (2 ... 8,5 μA)

Cable length: max. 30 m
 Operating temperature: $-10^\circ C \dots +80^\circ C$



SI: Voltage interface 1 Vpp

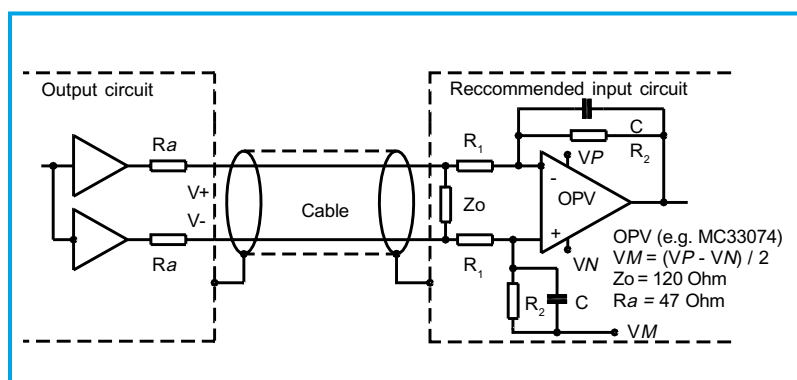
Operating voltage: 5 V ± 5 % or 8 ... 30 V
 Current requirement: max. 180 mA

Output signals: A+, A-, B+, B-, Z+, Z-

Limit frequency (-3dB): max. 160 kHz

Signal level at a load of $Z_o = 120 \Omega$: track signals: A, B $\sim 1 V_{pp}$ (0,8 ... 1,2 Vpp)
 index signal (effective signal): Z $\sim 0,5 V$ (0,2 ... 0,85 V)

Cable length: max. 150 m
 Operating temperature: $-10^\circ C \dots +80^\circ C$



LTN Servotechnik GmbH

Ordering information	G	58	X	X	XX XX	XXXX	-	X X X	-	XX																																																																													
	G	58	3	4	5.1 5.2	6	-	7 8 9	-	10																																																																													
G	Incremental Rotary Encoder																																																																																						
58	Model series																																																																																						
3	Mechanical specification S = Type S D = Type S + higher vibration capability L = Type L E = Type L + higher vibration capability H = Type H T = Type H + higher vibration capability W = Type W (shaft mounting with torque coupling) others upon request																																																																																						
4	Shaft- or hollow shaft configuration S = Standard 6 mm for G58L, G58S S = Standard 10 mm for G58H S = Standard 6 mm for G58W T = 8 mm for G58W U = 10 mm for G58W, G58L, G58S V = 12 mm for G58W Q = 14 mm for G58W others upon request																																																																																						
5.1	Output circuit LD = Line driver; RS422 IX = LD with interpolation PP = Push pull KS = PP with short-circuit protection TL = TTL compatible OC = Open collector QI = Current interface 11 µApp at 1 kOhm load SI = Voltage interface 1 Vss at 120 Ohm load																																																																																						
5.2	Output channels BI = channel A and B IN = channel B only others upon request																																																																																						
6	Line counts <table border="1"> <tr> <td>2</td><td>8</td><td>10</td><td>25</td><td>50</td><td>64</td><td>100</td><td>120</td><td>125</td><td>128</td><td>150</td><td>160</td><td>180</td> </tr> <tr> <td>190</td><td>200</td><td>240</td><td>250</td><td>254</td><td>256</td><td>300</td><td>350</td><td>360</td><td>380</td><td>400</td><td>500</td><td>512</td> </tr> <tr> <td>560</td><td>600</td><td>604</td><td>625</td><td>635</td><td>676</td><td>720</td><td>750</td><td>800</td><td>900</td><td>1000</td><td>1024</td><td>1125</td> </tr> <tr> <td>1130</td><td>1152</td><td>1200</td><td>1250</td><td>1270</td><td>1440</td><td>1500</td><td>1600</td><td>1800</td><td>2000</td><td>2048</td><td>2160</td><td>2164</td> </tr> <tr> <td>2200</td><td>2400</td><td>2500</td><td>2540</td><td>2592</td><td>2670</td><td>3000</td><td>3092</td><td>3142</td><td>3600</td><td>3927</td><td>4000</td><td>4096</td> </tr> <tr> <td>4490</td><td>5000</td><td>5760</td><td>8192</td><td>9000</td><td>10000</td><td colspan="6">others upon request</td> </tr> </table>										2	8	10	25	50	64	100	120	125	128	150	160	180	190	200	240	250	254	256	300	350	360	380	400	500	512	560	600	604	625	635	676	720	750	800	900	1000	1024	1125	1130	1152	1200	1250	1270	1440	1500	1600	1800	2000	2048	2160	2164	2200	2400	2500	2540	2592	2670	3000	3092	3142	3600	3927	4000	4096	4490	5000	5760	8192	9000	10000	others upon request					
2	8	10	25	50	64	100	120	125	128	150	160	180																																																																											
190	200	240	250	254	256	300	350	360	380	400	500	512																																																																											
560	600	604	625	635	676	720	750	800	900	1000	1024	1125																																																																											
1130	1152	1200	1250	1270	1440	1500	1600	1800	2000	2048	2160	2164																																																																											
2200	2400	2500	2540	2592	2670	3000	3092	3142	3600	3927	4000	4096																																																																											
4490	5000	5760	8192	9000	10000	others upon request																																																																																	
7	Zero index Z 1 = Z „high“ if A „high“ 5 = Z „high“ if A + B „high“ others upon request																																																																																						
8	Flange 2 = Servo (G58S and G58L) 3 = round 5 = round sealed bearing 7 = round + shaft seal others upon request																																																																																						
9	Connector or cable output 0 = connector axial 1 = connector radial 2 = cable axial (1m) 3 = cable radial (1m) 4 = cable radial with connector 5 = cable axial with connector 6 = leads axial 7 = leads radial others upon request																																																																																						
10	Supply voltage 05 = 5 Volts 24 = 8 ... 30 Volts																																																																																						

SERVOTECHNICS

9, Avenue Alexandre Maistrasse
 92500 Rueil-Malmaison
 Tél. : 01 47 08 22 79
 Fax : 01 47 08 67 25
 E-mail : igiliberti@servotechnics.com