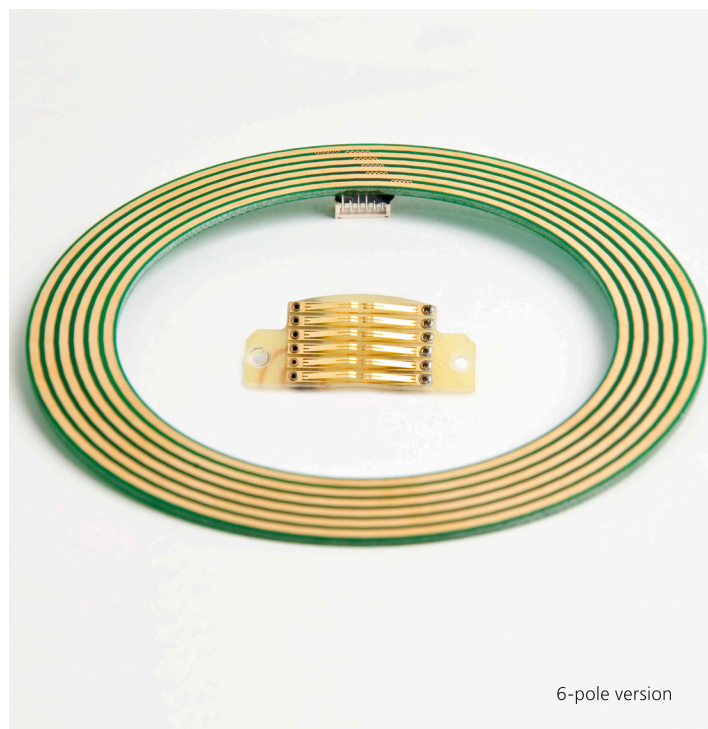




## FACTS

- 2 ... 12 rings; other on request
- max. 1 A per ring
- Outer diameter 50 - 300 mm
- Inner diameter 0 - 250 mm
- 60 V<sub>DC</sub>



6-pole version

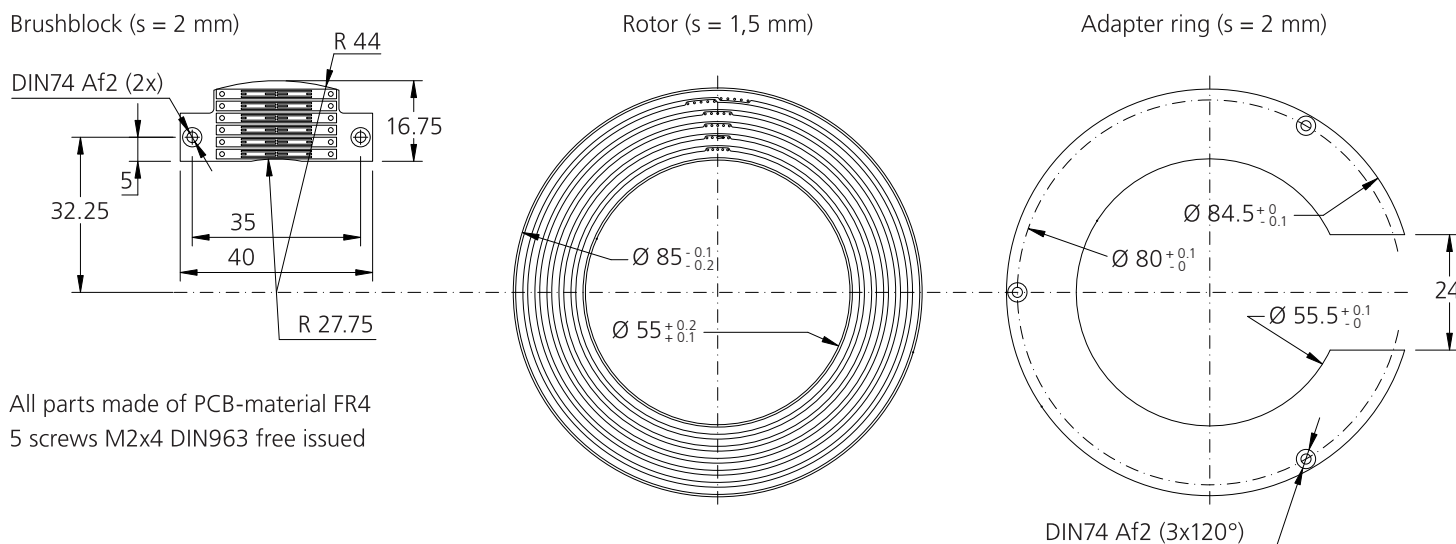
## ELECTRICAL DATA

Number of rings:	2 ... 12, other on request
Current:	1 A per ring
Voltage:	60 V <sub>DC</sub>
High pot:	500 V <sub>AC</sub>
Insulation resistance:	1000 MΩ at 500 V <sub>DC</sub>
Noise:	max. 20 mΩ at 5 min <sup>-1</sup> and 6 V <sub>DC</sub> , 50 mA
Contacts:	gold-gold

## MECHANICAL DATA

Rated speed:	30 - 200 min <sup>-1</sup> depending on diameter
Protection class:	IP 00
Temperature:	-30 °C ... +80 °C (-22 °F ... +176 °F)
Rotor / Stator conn.:	customized (leads, cable or connector)

## DESIGN EXAMPLE - SD085 (6-POLE)



All parts made of PCB-material FR4  
5 screws M2x4 DIN963 free issued

---

ASSEMBLY

